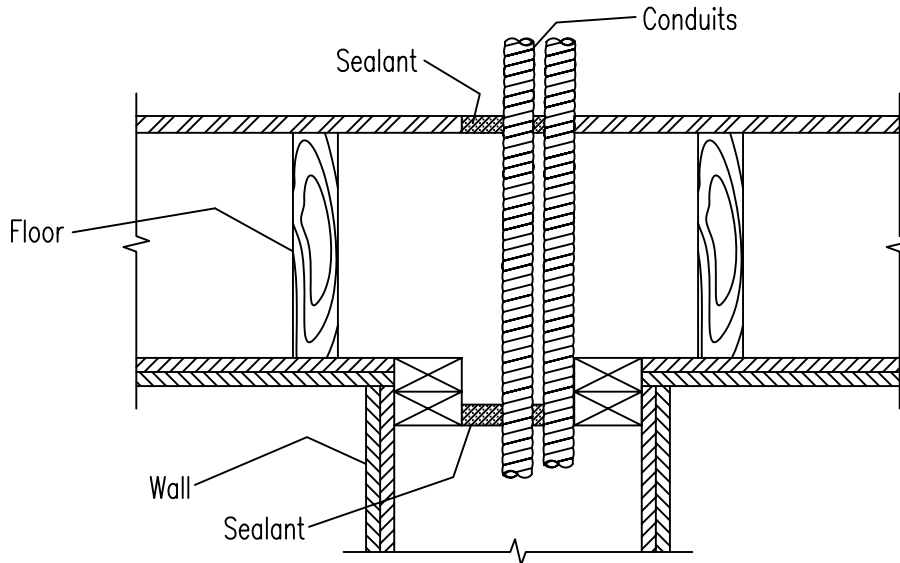


# WOOD/STEEL JOIST FLOOR MULTIPLE FLEXIBLE METALLIC PIPES

**F Rating 1 or 2 Hr.**

**T Rating 0 Hr.**



- **WOOD FLOOR ASSEMBLY** – Constructed in the manner specified in individual L500 series floor-ceiling designs in the UL Fire Resistance Directory. For 1 Hr. floor-ceiling assemblies nom 10” deep lumber, steel or combination lumber and steel joists or trusses may be used. The 2 Hr. fire-rated wood joist floor-ceiling assembly shall be constructed of the materials and in the manner specified in Design Nos. L505, L511, or L536 in the UL Fire Resistance Directory.
- **WALL ASSEMBLY (optional)** – Constructed in the manner specified in the U300 series designs as shown in the UL Fire Resistance Directory.
- **FLEXIBLE METALLIC CONDUITS** – One or more 1-1/2” diameter, or smaller steel, flexible metallic conduits. Max. diameter of through penetrant bundle shall be 3”. Annular space between penetrants is 0” (point of contact) to 1/4”. The annular space between the through penetrants and periphery of opening shall be min. 0” (point of contact) to 1”.
- **NELSON ES1399 SEALANT** – Min. 3/4” thickness of sealant applied within annulus, on top surface of the floor or sole plate. Min. 5/8” thickness of sealant applied within the annulus, flush with bottom surface of ceiling or bottom top plate. Additional min. 1/8” thickness of sealant shall extend a min. 1/2” beyond the periphery of the opening on top surface of the floor or sole plate and bottom surface of the ceiling or At point of contact, a min. 3/8” diameter bead of sealant shall be applied opening on top surface of the floor or sole plate and bottom surface of the ceiling or At point of contact, a min. 3/8” diameter bead of sealant shall be applied at the gypsum board/through penetrant interface on both surfaces of the wall.

Tested in accordance with:

ASTM E-814  
ANSI/UL 1479



**System No.  
F-C-1129**

**Nelson Firestop**

**DWG NO. FS-0521 R0**

**DATE: 01/05/04**

**BY: RL**

**Project Name:** \_\_\_\_\_  
**Address:** \_\_\_\_\_  
**Installer:** \_\_\_\_\_  
**Address:** \_\_\_\_\_  
**Signature:** \_\_\_\_\_

**Nelson Firestop**

**800 331-7325 Fax: 918 627-2941**

**Tulsa, Ok.**